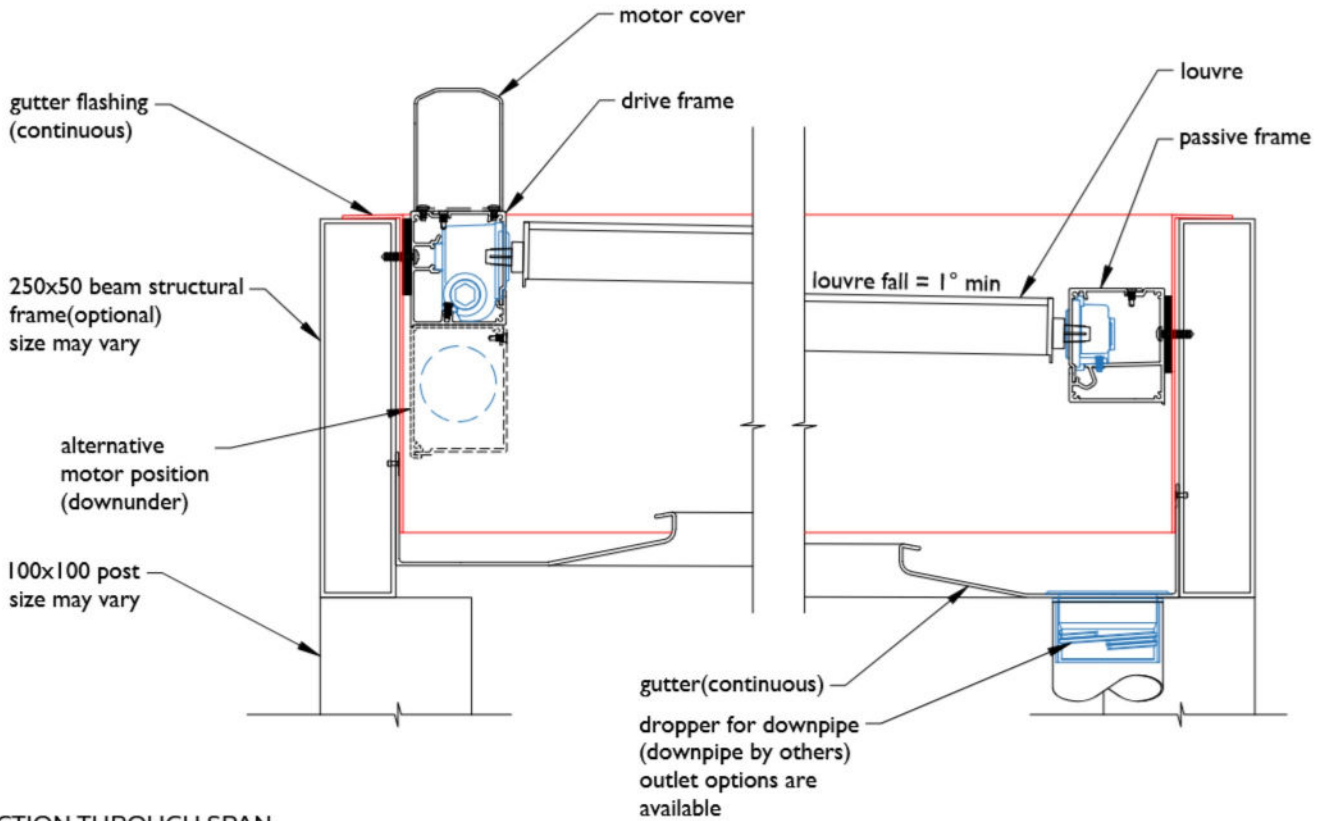
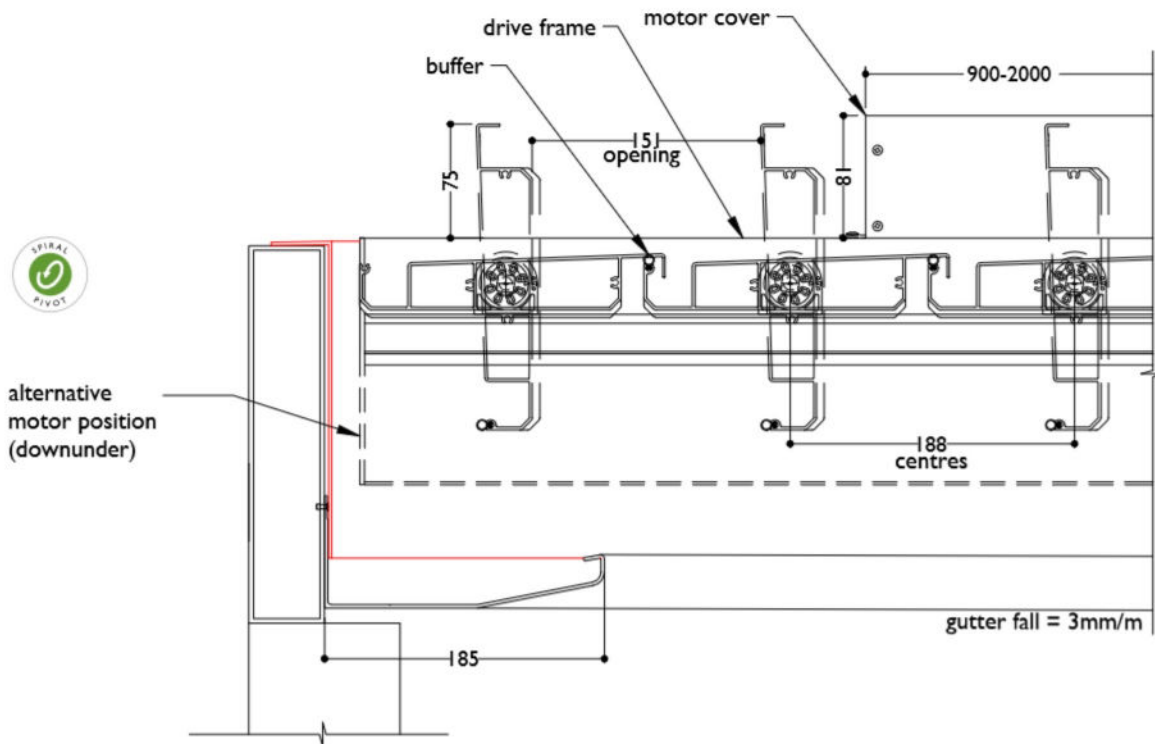


TYPICAL DETAIL: MOTORISED 200/35 SLIMLINE ROOF WITHIN LOUVRETEC STRUCTURAL FRAME



SECTION THROUGH SPAN



SECTION THROUGH LOUVRES