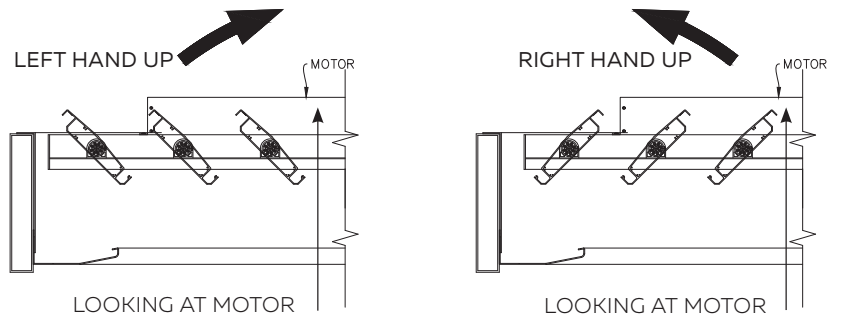




DETAILS AT A GLANCE

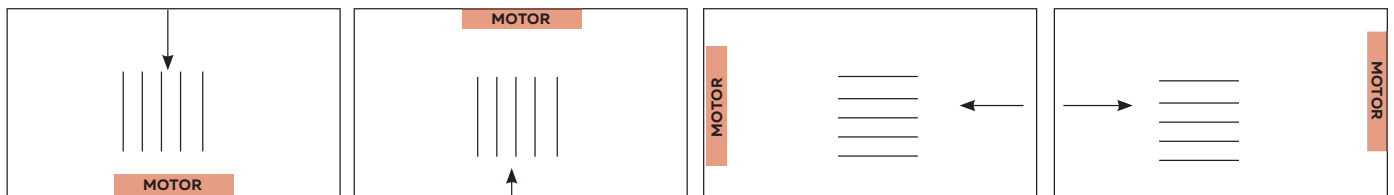
specifying direction of blade pivot

Determine which direction the Louvretec Spiral Pivot system opens the blades. Direction of left hand or right hand up is as viewed when looking at the motor.



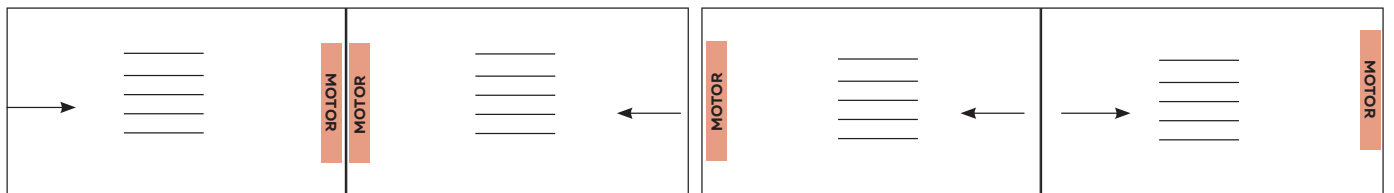
DIFFERENT CONFIGURATIONS

The same rule applies - determine which direction the Louvretec Spiral Pivot system opens the blades. Direction of left hand or right hand up is as viewed when looking at the motor.

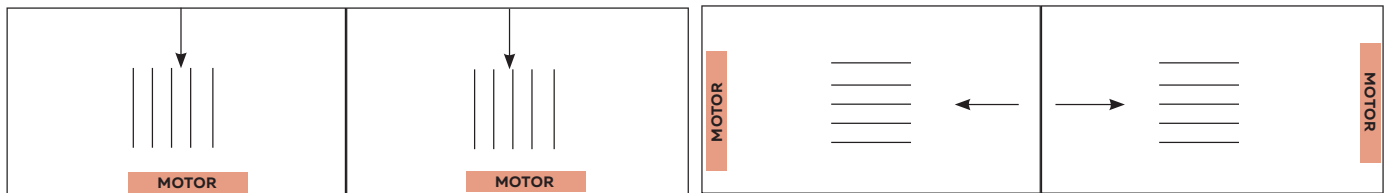


SINGLE PANEL

DWGS COMING



DOUBLE OR MULTIPLE PANELS



STANDARD OPTION

Motor Over is the Standard Option.

If Down-Under is preferred specify as the Option.